



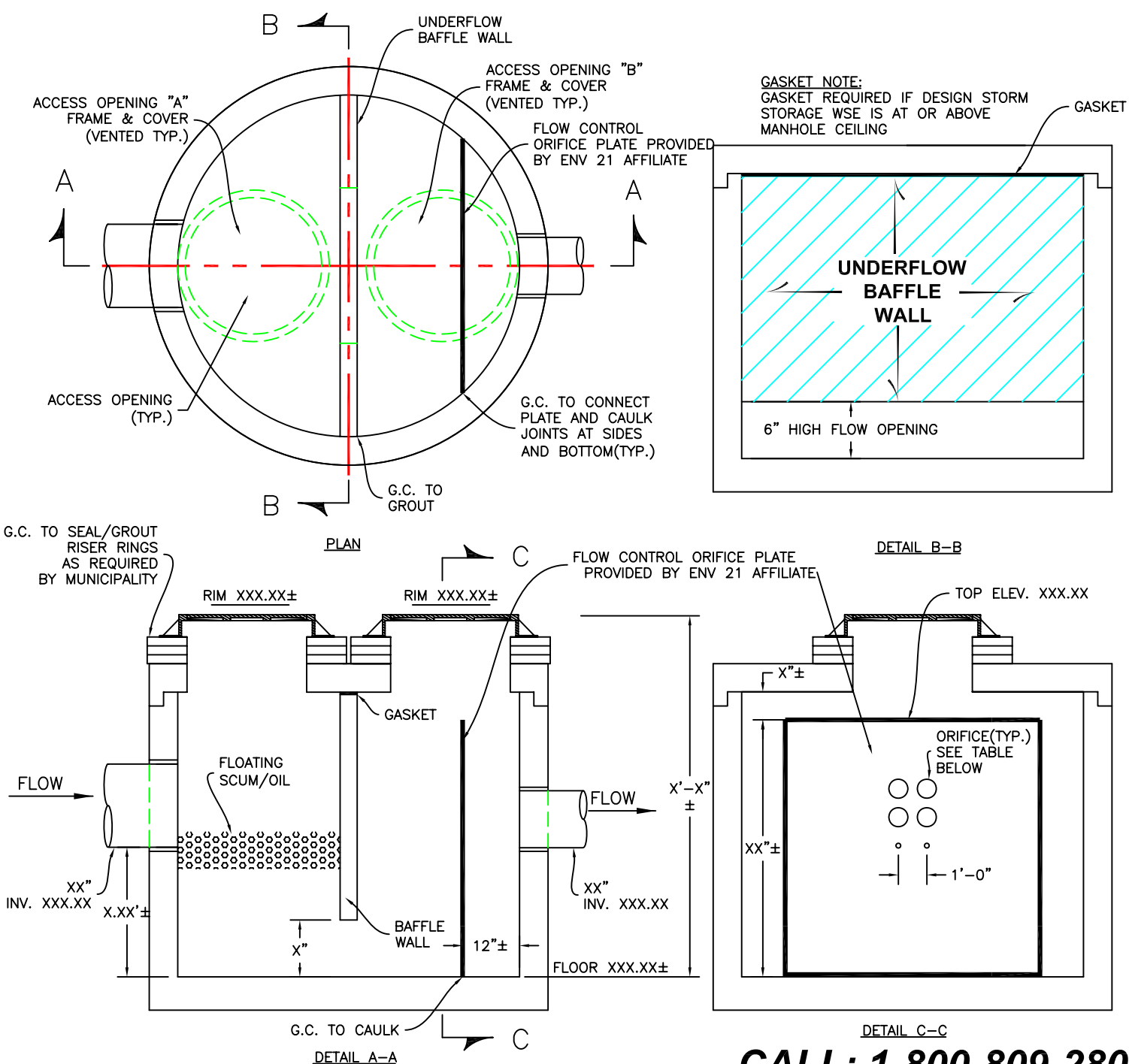
PROJECT: XXXX	LOCATION: XXXX
OWNER: XXXX	SCALE: N/A
ENGINEER: XXXX	DWG. NO.: SCFCU
CONTRACTOR: XXXX	DATE: 1-12-05
ENV 21 AFFILIATE: XXXX	
PRODUCT DESIGNATION: ENV21 UNISTORM FLOW CONTROL STRUCTURE	

Environment 21, LLC
 8713 Read Road, P.O. Box 55
 East Pembroke, New York
 14056-0055
 Phone: (800) 809-2801
 Fax: (585) 762-8315
 Web: www.env21.com

STRUCTURE NO.	STS#1
UNISTORM-R MODEL	FC
MANHOLE DIAM., FT.	XX
ACCESS OPENING "A" DIAM.	24"
ACCESS OPENING "B" DIAM.	24"
MAXIMUM INLET VELOCITY, FPS	XX

HYDROLOGY SPECIFICATIONS FOR DETENTION OUTLET FLOW CONTROL		
EVENT	WATER QUALITY	DESIGN STORM
STORAGE VOL., AC-FT	XX	XX
STORAGE DEPTH, FT	XX	XX
STORAGE WSE*	XX	XX
PEAK OUTFLOW, CFS	XX	XX
DRAW DOWN TIME, HRS	XX	XX

*WSE=WATER SURFACE ELEVATION



GENERAL NOTES:
 MANHOLE DESIGN SPECIFICATIONS CONFORM TO LATEST A.S.T.M. C478 SPEC. FOR PRECAST REINFORCED CONCRETE MANHOLE SECTIONS.
 DESIGN LOADING: AASHTO HS20-44
 PROPRIETARY INFORMATION: PATENTS PENDING - ALL RIGHTS TO ENVIRONMENT 21, LLC.

ORIFICE RISER PIPE NOTES:
 (1) ENVIRONMENT 21 TO PROVIDE BACKWATER ANALYSIS FOR WATER QUALITY AND DESIGN STORM EVENTS
 (2) ENVIRONMENT 21 TO PROVIDE INVERTS AND DIAMETER OF ORIFICES

CALL: 1-800-809-2801

ORIFICE TABLE			
ORIFICE	TOP	MIDDLE	BOTTOM
DIAMETER, IN	XX	XX	XX
INVERT	XXX.XX	XXX.XX	XXX.XX