

V2B1 ONLINE SYSTEM / ADAPT TO SITE LAYOUT

DATE: 1-25-08
DWG. NO.: Detail - V2B1

V2B1 SIZING TABLE

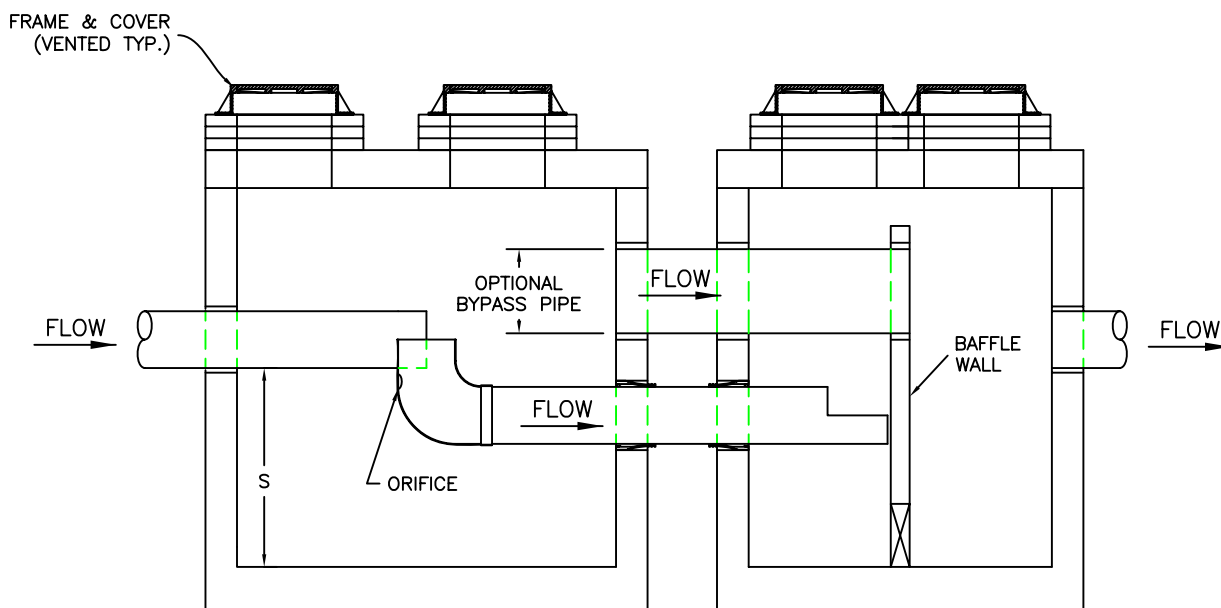
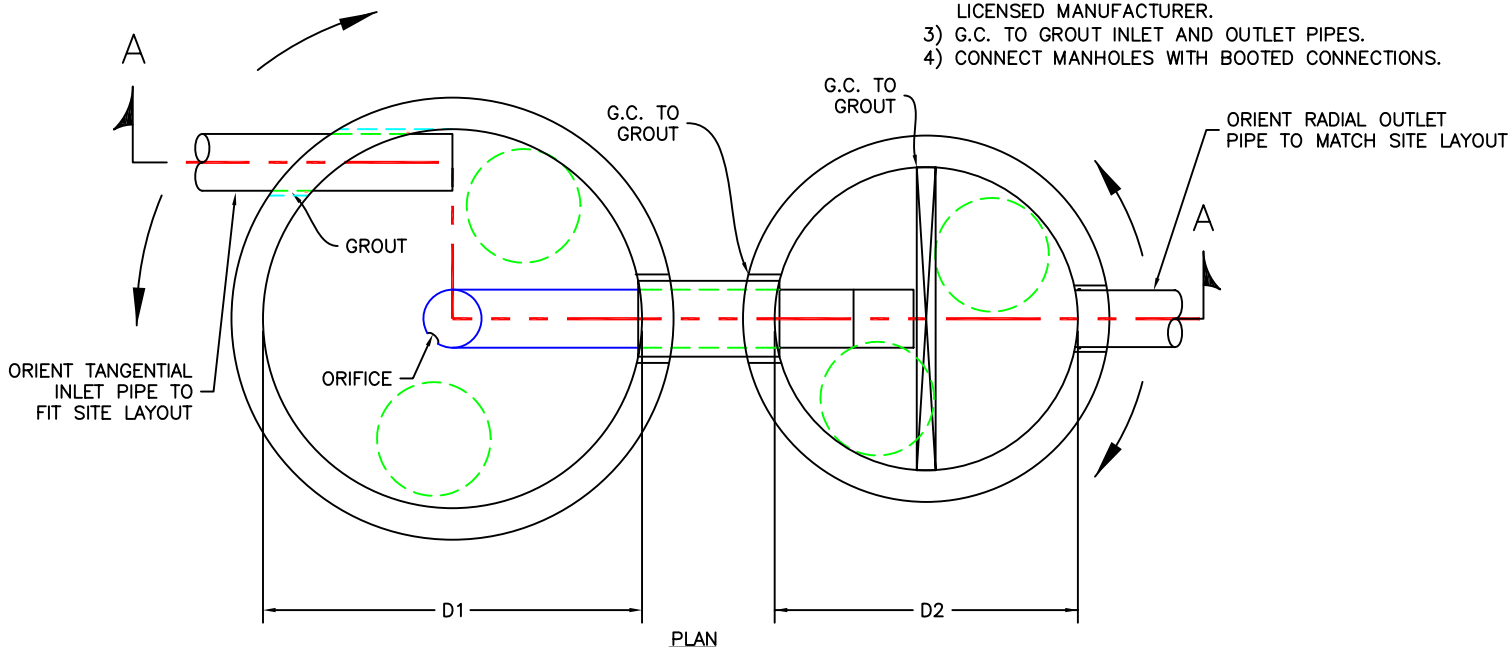
V2B1 MODEL #	D1 (ft.)	D2 (ft.)	S (ft.)	IMPERVIOUS AREA (acres)	INLET PIPE (in.)	TREATMENT FLOW (cfs)	PEAK FLOW (cfs)
3	4	5	4.1±	0.3 -1.3	12	0 - 1	4
4	5	5	4.4±	1.3-2.0	15	1 - 2	6
6	6	5	4.7±	2.0-3.0	18	2 - 3	7
9	7	5	4.9±	3.0-4.0	21	3 - 5	9
11	8	6	5.1±	4.0-5.3	24	5 - 7	16
17	10	8	5.5±	5.3-8.3	30	7 - 10	25
25	12	8	5.9±	8.3-11.7	36	10 - 13	35



CALL: 1-800-809-2801

NOTES:

- 1) RAINFALL INTENSITY USED FOR TREATMENT FLOW = 0.80-1.0 IN/HR
 - 2) MAXIMUM OPERATING LOSS APPROXIMATELY 0.5 FT
- MANUFACTURING NOTES:**
- 1) DESIGN OF INTERNAL PVC PIPING PROVIDED TO LICENSED MANUFACTURER BY ENVIRONMENT 21, LLC.
 - 2) LOCATION AND SIZE OF MANHOLE OPENINGS MAY BE ADJUSTED BY LICENSED MANUFACTURER.
 - 3) G.C. TO GROUT INLET AND OUTLET PIPES.
 - 4) CONNECT MANHOLES WITH BOOTED CONNECTIONS.



GENERAL NOTES:
MANHOLE DESIGN SPECIFICATIONS CONFORM TO LATEST A.S.T.M. C478 SPEC. FOR PRECAST REINFORCED CONCRETE MANHOLE SECTIONS.

DESIGN LOADING: AASHTO HS20-44

PROPRIETARY INFORMATION: PATENTS PENDING - ALL RIGHTS TO ENVIRONMENT 21, LLC.

C:\ENR\21\Stormwater-Treatment\marketing\ENR\21_Webstie\2007-New-Webstie\20B11\Specifying Documents\20B1-Online-Detail.dwg